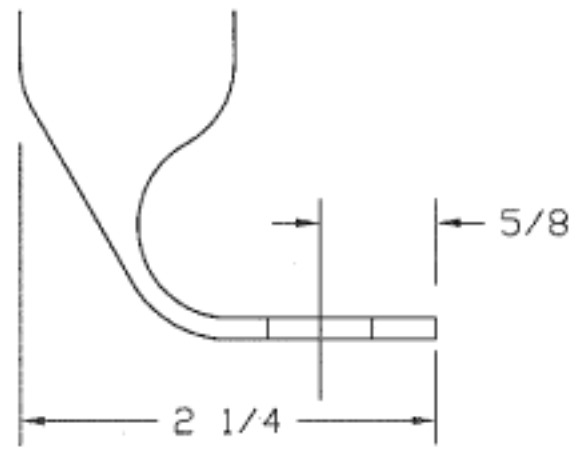
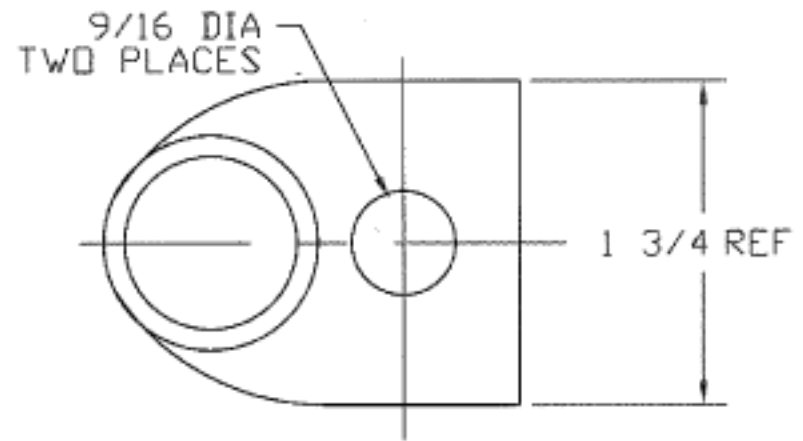
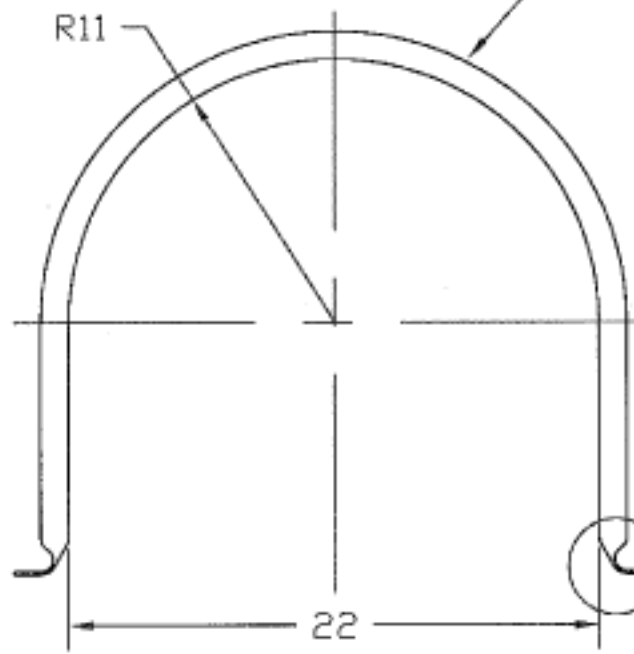



REVISIONS				
ZONE	REV	DESCRIPTION	DATE	APPROVED
	B	REVISED & REDRAWN	15MAR99	
	C	55 GALLON ADDED	21OCT03	

1" GALVANIZED EMT CONDUIT
(1.163 OD, 1.049 ID)



				
		BAND 55 GALLON HORIZONTAL TANKS		
JTP	15MAR99	SIZE A	FSCM NO.	OWG NO.
		SCALE 1/8		REV C
			SHEET	